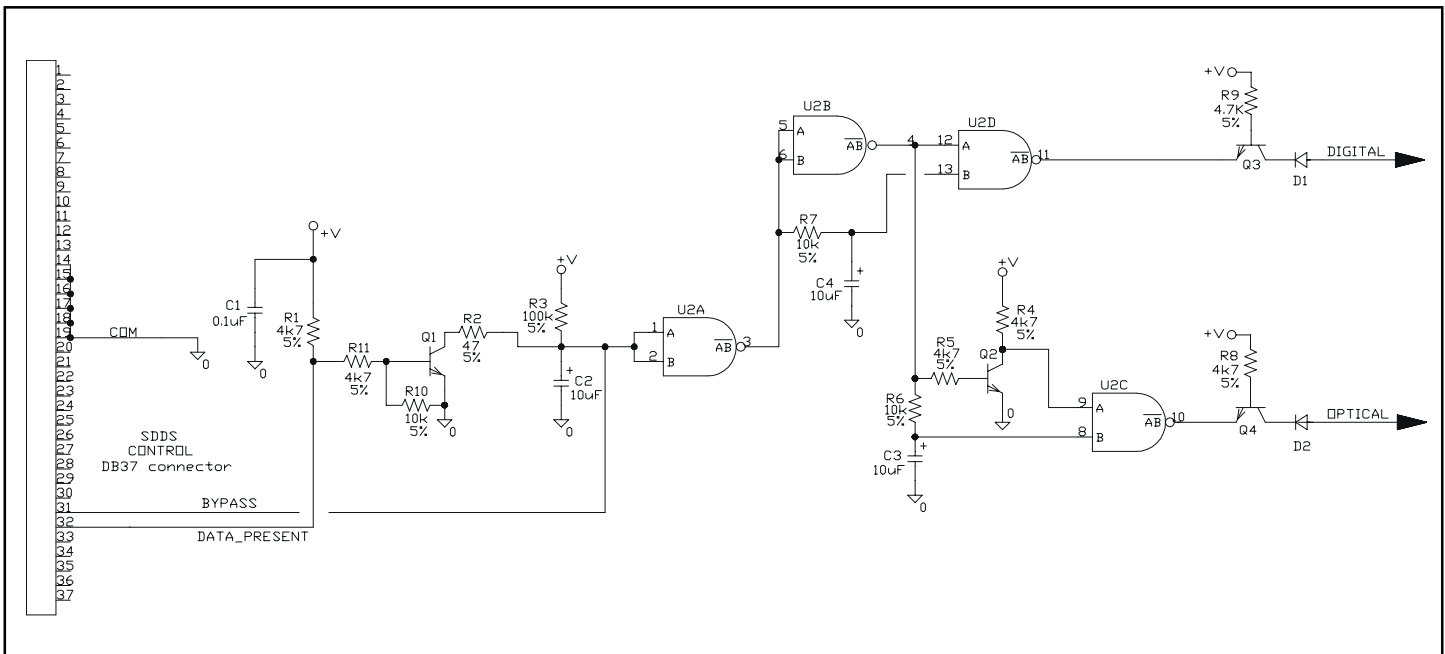


The SMART Circle Surround EX, Panastereo SP23, and other Surround Adaptors on the market must be connected to the format terminals on the stereo processor. Then when a digital film is playing, the proper format can be selected on the Surround Adaptor. The DTS and DOLBY digital players have logic outputs that indicate when digital is playing, and these can be used to switch the Surround Adaptor into the proper mode.

The SONY Digital Player is a unique case since it does not normally play through the stereo processor. Therefore, all switching between formats is done in the SDDS unit, and the optical stereo processor remains in an optical stereo format even when digital is playing. The SDDS unit does not have an easy means of signalling an external device, such as a Surround Adaptor, when digital or optical is playing. Therefore, some additional external circuitry must be employed to convert the SDDS outputs into unambiguous logic to indicate either optical or digital formats.

The following circuit will provide clear status indications of the SDDS. The connector shown on the left is a DB37 connector which mates with the DB37 connector on the back of the SDDS. The IC is a quad 2 input NAND gate such as a CD4011. The +V supply should be around +15VDC. The transistors are 2N2222A or equivalent. The diodes are 1N4148.



Call 1-800-457-6278 if you have questions.